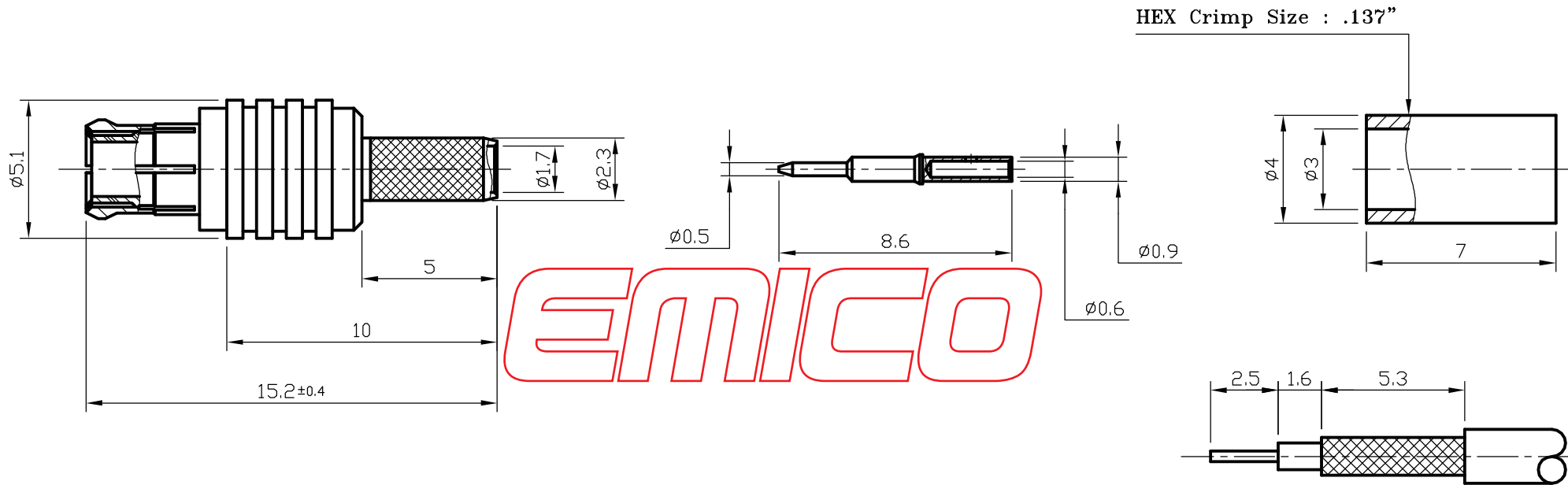


REMARK: RoHS COMPLIANT



EMICO

MATERIAL / FINISH

1. BODY: BRASS / GOLD
2. INSULATION: TEFLON
3. CONTACT PIN: BRASS / GOLD
4. FERRULE: BRASS / GOLD

NOTE:

1. CRIMPED FERRULE
HEX CRIMP SIZE .137"
2. CONTACT PIN TO SOLDER

**RECOMMENDED
STRIP LENGTHS**

THIRD ANGLE	UNIT	DATE	TITLE: MCX Male Crimp for RG-174, Gold
	MM	2006/7/9	
DRAWING BY	APPROVED BY	VERSION	DRAWING NO. EM-MC001A-RG174-GGT
LEE	C	A	

EMICO® **CONNECT YOUR LIFE**

TEL: +886-3-3117527; +886-3-3119828

FAX: +886-3-2225330

E-mail: emico.tw@msa.hinet.net

Website: www.emico-tw.com.tw

EMICO INDUSTRY CORPORATION